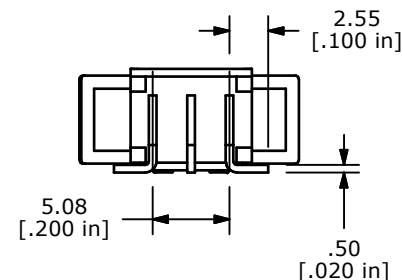
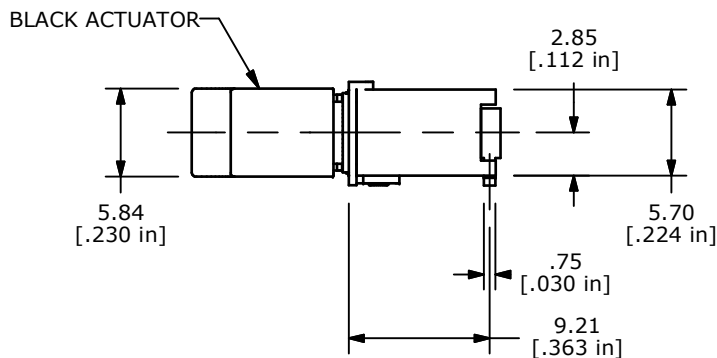
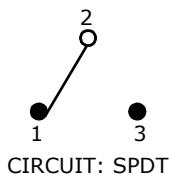
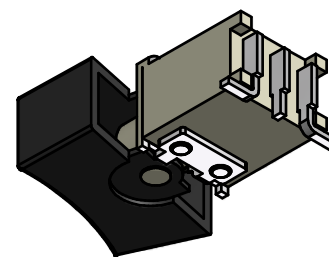
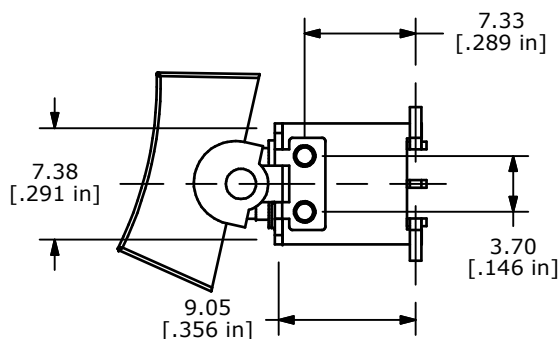


SWITCH FUNCTION		
POS. 1	POS. 2	POS. 3
ON	OFF	(ON)
2-3	OPEN	2-1

(ON) = MOMENTARY



- NOTES:**
1. ALL DIMENSIONS IN MM[INCH].
 2. GENERAL TOLERANCE: X.X=± 0.4
X.XX=± 0.25
 3. TERM. NOS. FOR REFERENCE ONLY.
 4. ELECTRICAL LIFE: 50,000 MAKE-AND-BREAK CYCLES AT FULL LOAD.
 5. CONTACT MATERIAL: GOLD
 6. CONTACT RATING: 0.4VA MAX @20V (AC OR DC)
 7. CONTACT RESISTANCE: 20MILLI-OHMS MAX. INITIAL @2-4 VDC
 8. OPERATING TEMPERATURE:-30°C TO 85°C.
 9. TERMINALS TO BE COPLANAR TO WITHIN 0.1[.004]
 10. ▲ DENOTES CRITICAL PARAMETER
 11. 2002/95/EC (ROHS) COMPLIANT
 12. PACKAGING: TAPE AND REEL 450 PCS. PER REEL



A	21200	INITIAL RELEASE	8/13/13	EBP
REV	PCR NO	DESCRIPTION	DATE	BY

TITLE 400BWMSP5R2BLKSM6RE				
SCALE 2:1	DATE 8/13/2013	DR EBP	DWG T460007	REV A

THE INFORMATION CONTAINED IN THIS DOCUMENT IS PROPRIETARY TO E-SWITCH AND IS NOT TO BE COPIED OR TRANSFERRED